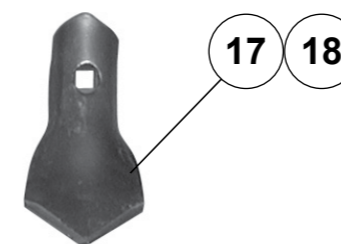
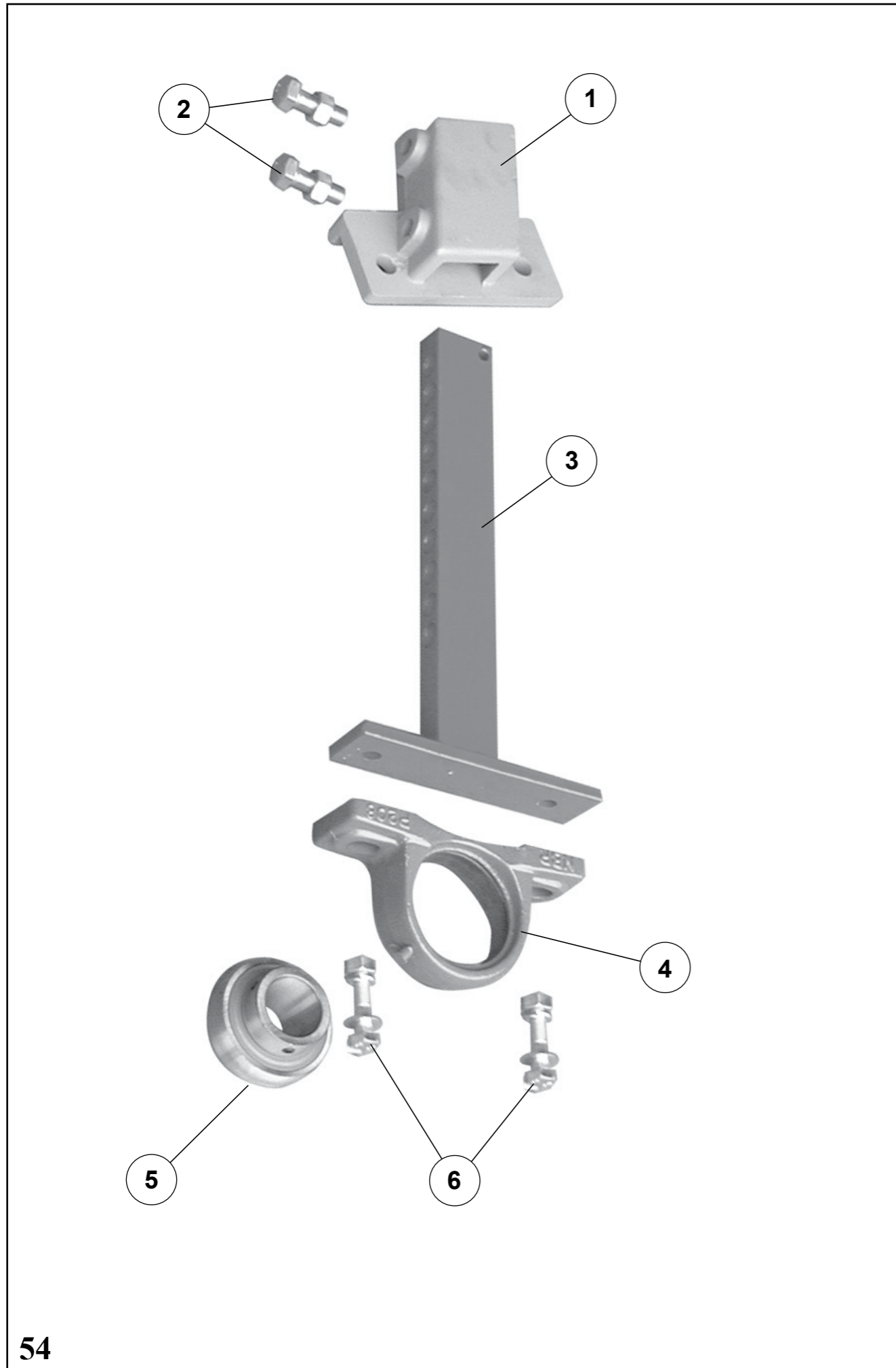


Cultivator Parts

No	Part Number	Description
1	200900	Clamp Plate
2	7118	Bolts M16 x 130mm
3	200905	1" Square Coil Tine Right Front
	200910	1" Square Coil Tine Left Front
4	7007	Point Bolts 7/16" x 1 3/4"
5	200093	Reversible Point 355 x 50 x 12
6	200094	Reversible Point 295 x 50 x 12
7	200095	Reversible Point 260 x 50 x 8
8	204052	Tine and Helper Spring Clamp Plate
9	7086	Bolt m12 x 80
10	204050	12mm S Tine C/W Point
	204053	10mm S Tine C/W Point
	204074	KKK Tine 32 x 10
11	204051	Helper Spring
12	7015	Bolt (CSK) 10 x 35mm
13	204080	Reversible Point
14	204075	10mm and 12mm Tine Clamp Plate
15	204055	RAU S Tine 32 x 10 C/W Point
17	204081	Cultivator Sweep 100mm Wide
18	204082	Cultivator Sweep 70mm Wide
	204070	VTM S Tine 50 x 11
	204069	KKK 32 x 12 Tine
19	204083	Paddle Tine
20	205610	Paddle Tip 100 Wide
21	203018	Clamp Plate (65 x 65 RHS) 50 x 10 Tine
	203019	Clamp Plate (50 x 50 RHS) 50 x 10 Tine

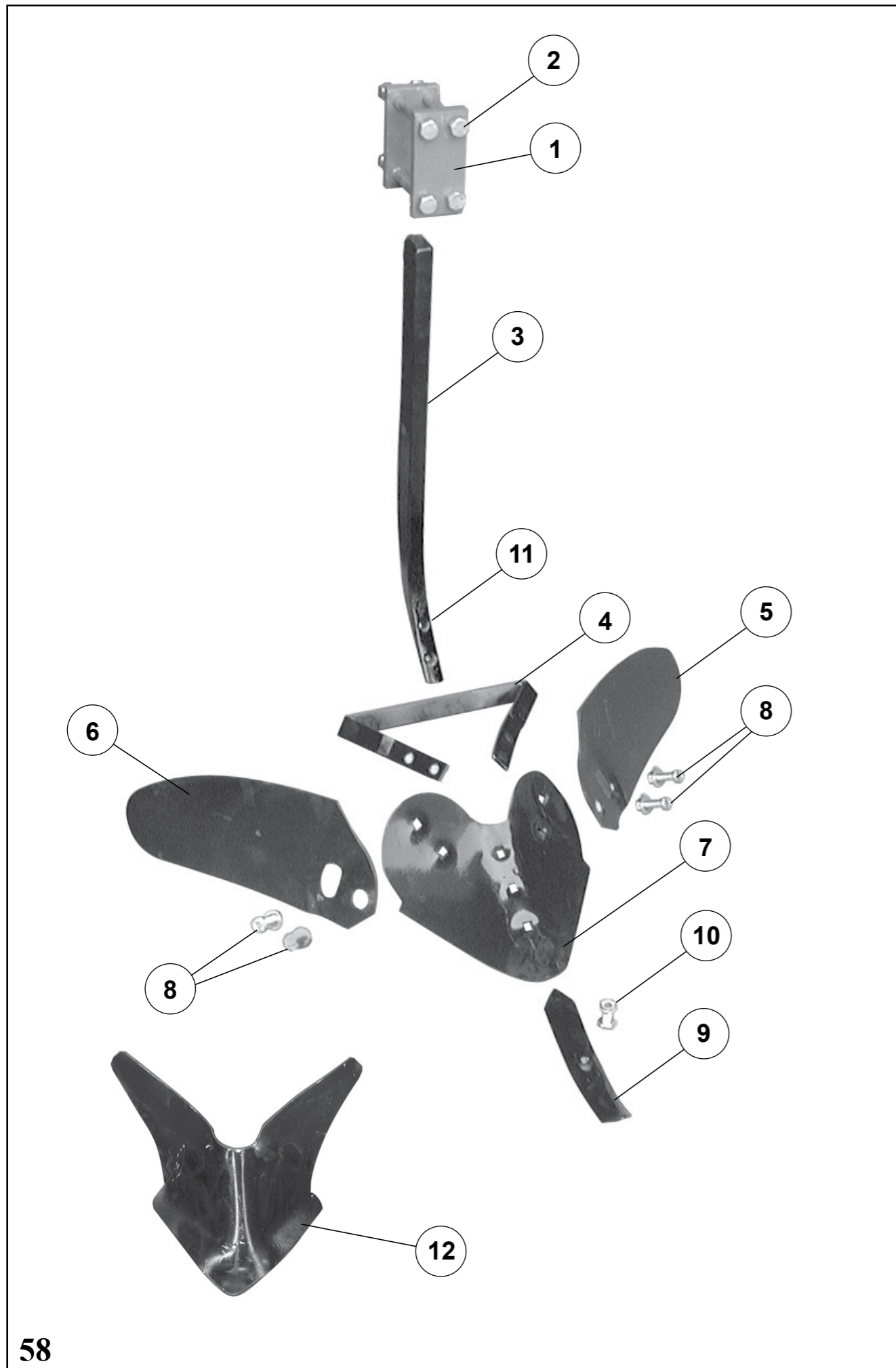


Rata
INDUSTRIES
Quality
Implement
Attachments
Phone 0800 80 24 78
Fax 03 688 2479



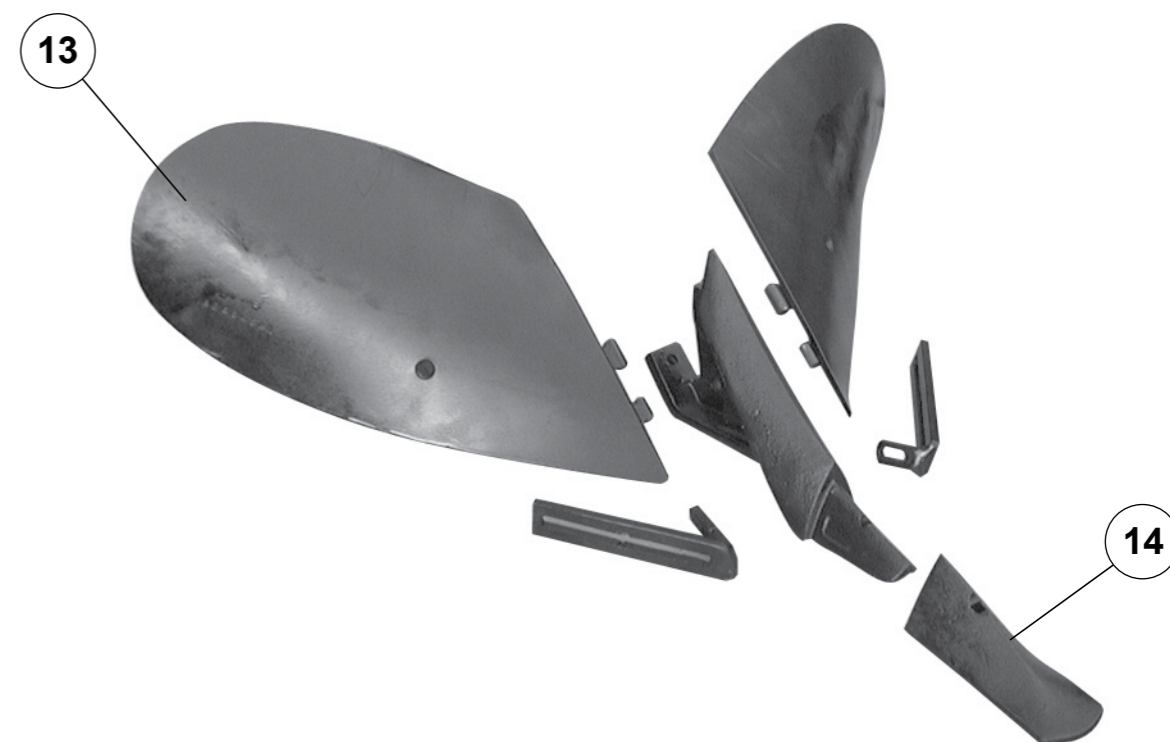
Crumbler Mounting Assembly

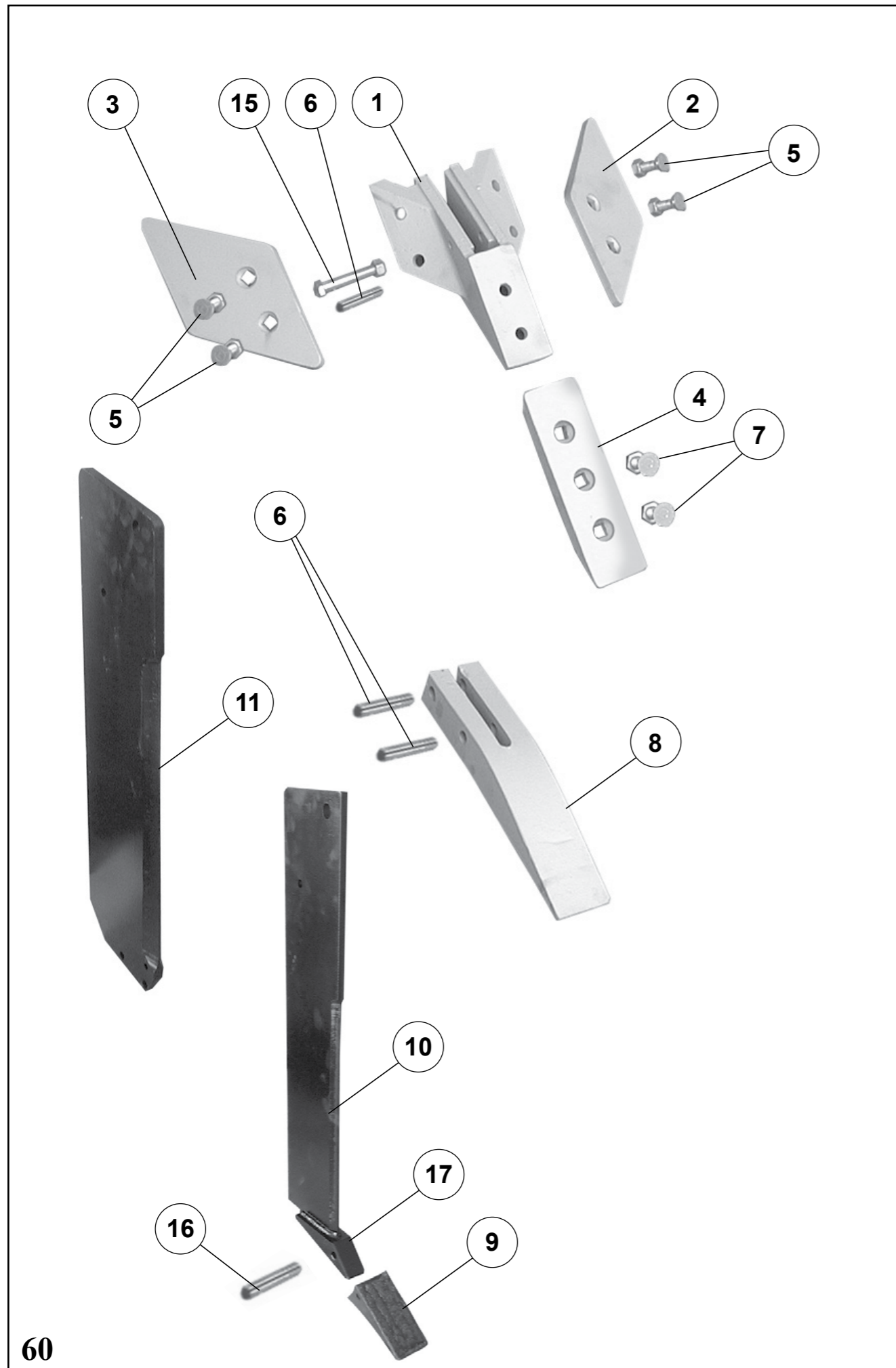
No	Part Number	Description
1	204715	Roller Mounting Block Left Hand
	204716	Roller Mounting Block Right Hand
2	7401	Bolt and Lock Nut $\frac{5}{8}$ " x $2\frac{1}{2}$ "
3	204710	Adjustable Roller Stalk
4	203200	Bearing Housing
5	203240	Bearing
6	7085	Bearing Bolt M12 x 50



Potato Moulder

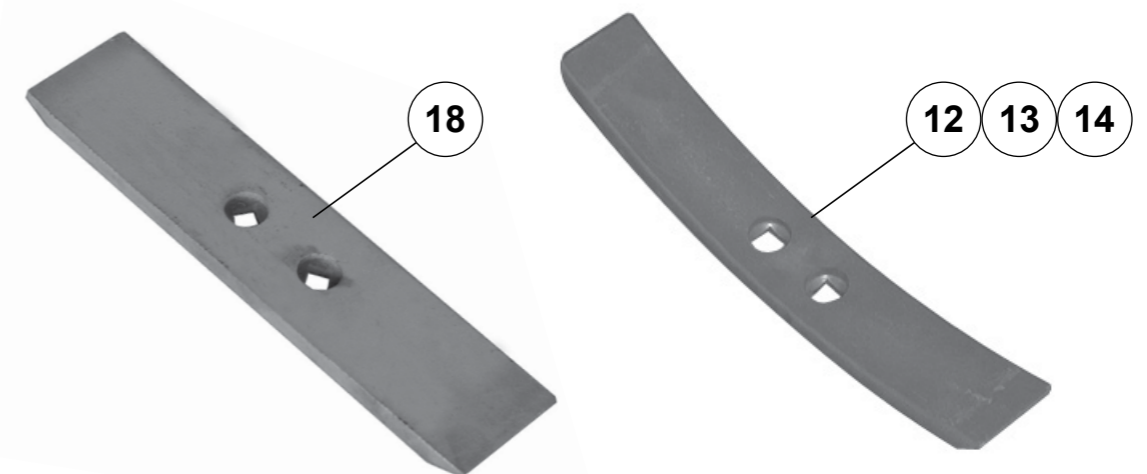
No	Part Number	Description
1	210310	Clamp Plate
2	7124	Bolts M16 x 150
3	200980	Rigid Tine 50mm
	200982	Rigid Tine 70mm
4	200604	Support Bracket
5	200602	Left Wing
6	200603	Right Wing
7	200601	Moulder Body
8	7030	Wing Bolt & Washer (CSK) 7/16" x 1 1/2"
9	204080	Reversible Point
10	7007	Point Bolt (CSK) 7/16" x 1 3/4"
	200600	Moulder Complete No 4, 5, 6, 7, & 8
11	7009	Stalk to Moulder Bolt 7/16" x 2"
12	202600	Mackay Moulder
13	202950	M/F Ridger Assembly
14	202951	M/F Ducks Bill Point





Soil Aeration Toes and Blades

No	Part Number	Description
1	440113	Saddle
2	440111	Left Wing 4"
3	440112	Right Wing 4"
4	440110	Reversible Point
5	7005	Bolt (CSK) 7/16" x 1 1/4"
6	7552	Roll Pin 1/2" x 2"
7	7006	Bolt (CSK) 7/16" x 1 1/2"
8	440108	Plane Toe
9	440102	Rata Subsoiler Replaceable Toe
	440103	Rata Subsoiler Replaceable Toe 150 Wide
	440104	NiHard Wear Strip
10	440114	Rata Subsoiler Leg C/W Toe
11	440115	Klough Subsoiler Leg
12	440100	Panbuster Point 420 x 75mm (2 Holes)
13	440107	Panbuster Point 420 x 75mm (3 Holes)
14	7020	Panbuster Point Bolt 5/8" x 3"
15	7087	M12 x 70 Bolt
16	7555	M10 x 50 Roll Pin
17	440106	Weld On Foot
18	440109	M/F Point 300 x 65




Rata
 INDUSTRIES
 Quality
 Implement
 Attachments
 Phone 0800 80 24 78
 Fax 03 688 2479