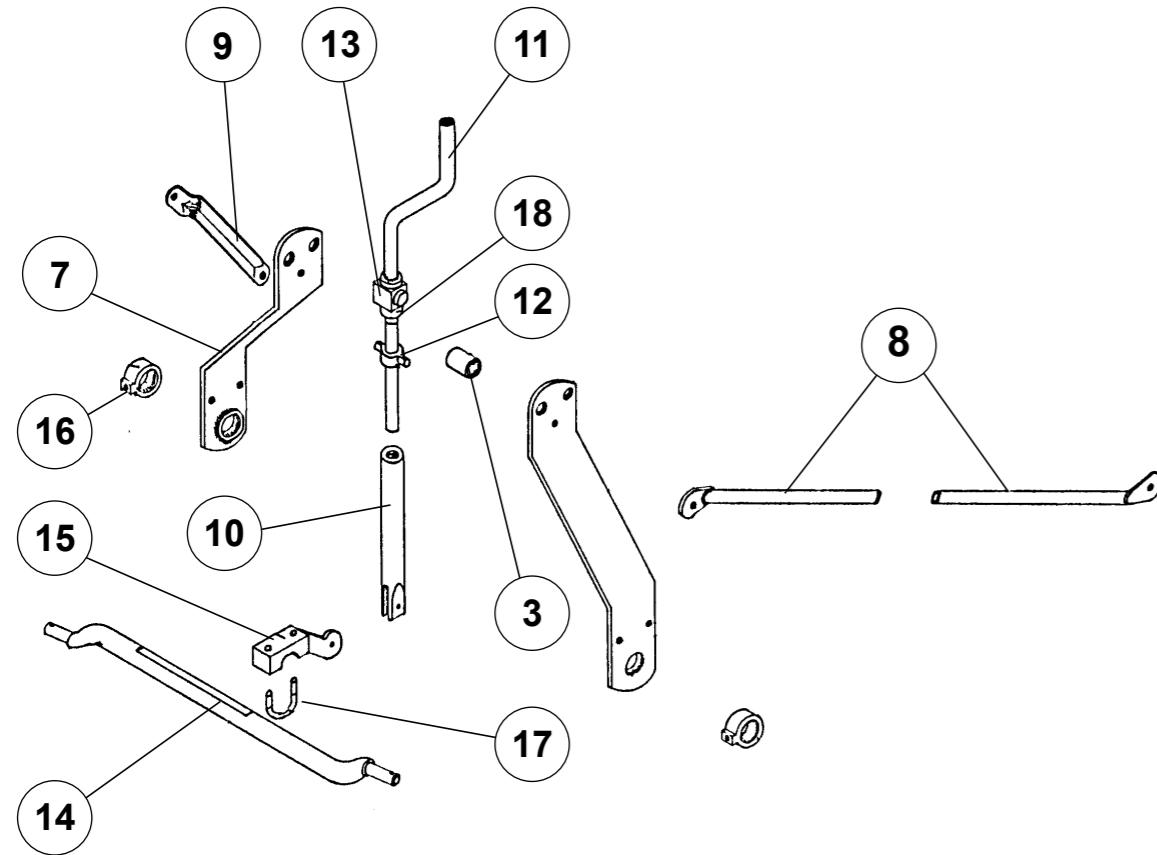
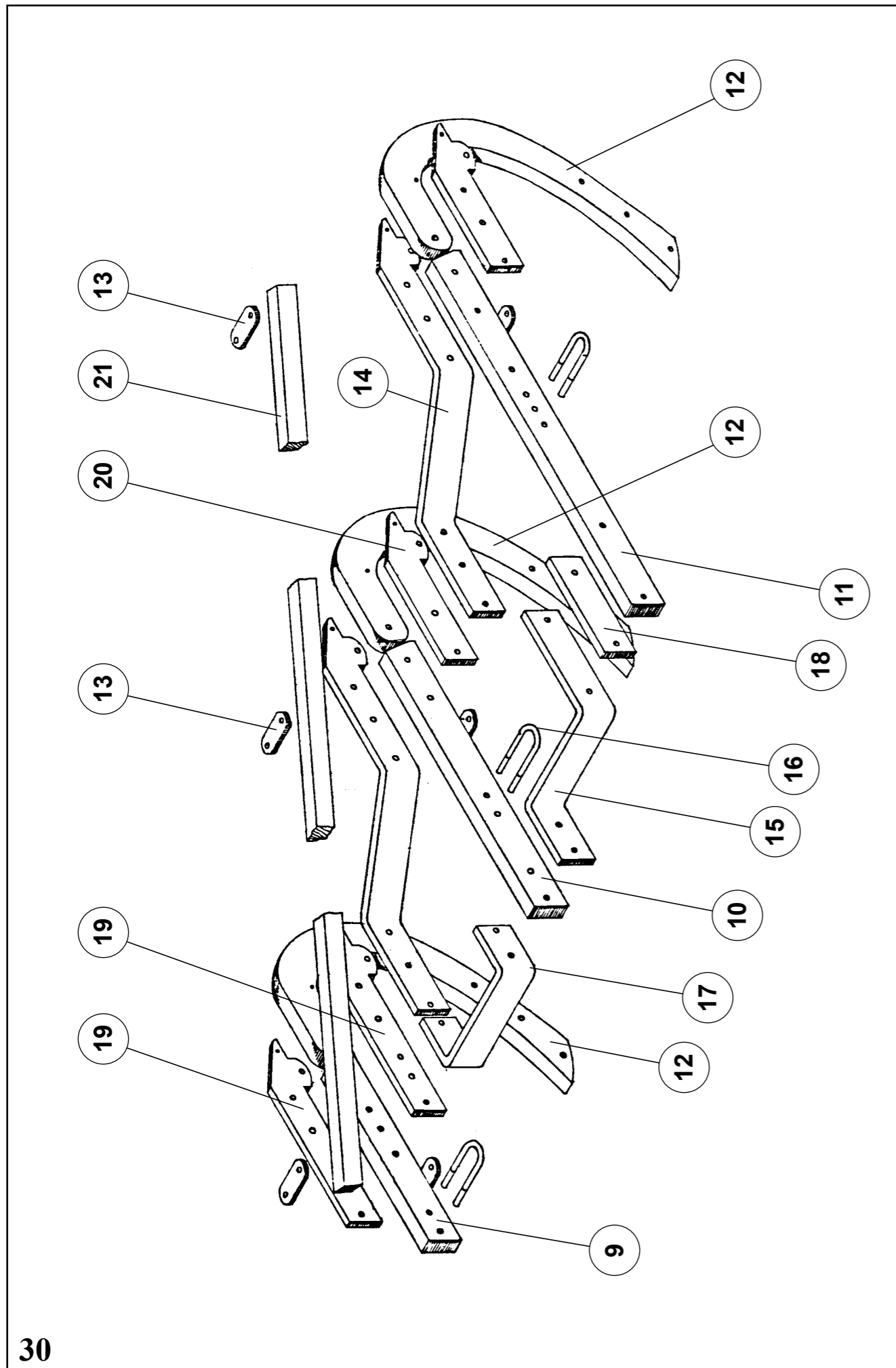


## MTD Plough Linkage Assembly

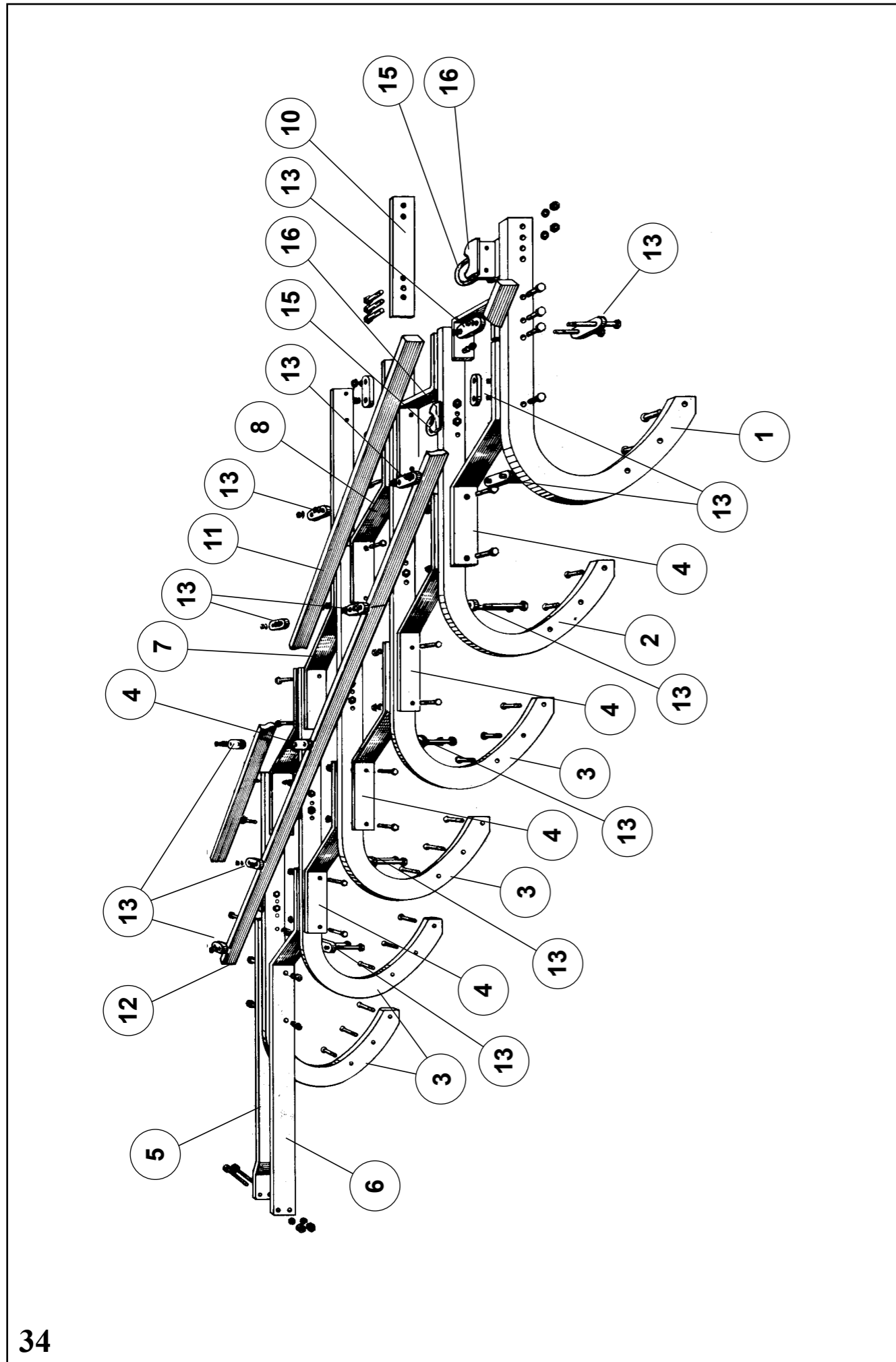


No	Part Number	Description
7	102910	Link Support 14" Std
8	103008	Link Stay L/h 3f 33 cm
	103009	Link Stay L/h 3f 38 cm
9	103048	Link Stay R/h S/pin
10	103170	Adjusting Nut 1 1/8"
11	103180	Width Screw 1 1/8"
12	103190	Lock Nut 1 1/8"
13	103200	Width Block
14	103455	Draught Bar Cat 1
	103460	Draught Bar Cat 2
15	103520	Adjusting Arm
16	103525	Draught Bar Collar
17	103622	U Bolt Draught Bar
18	103210	Shafting Collar 1 1/8"
19	103075	Top Link Spacer



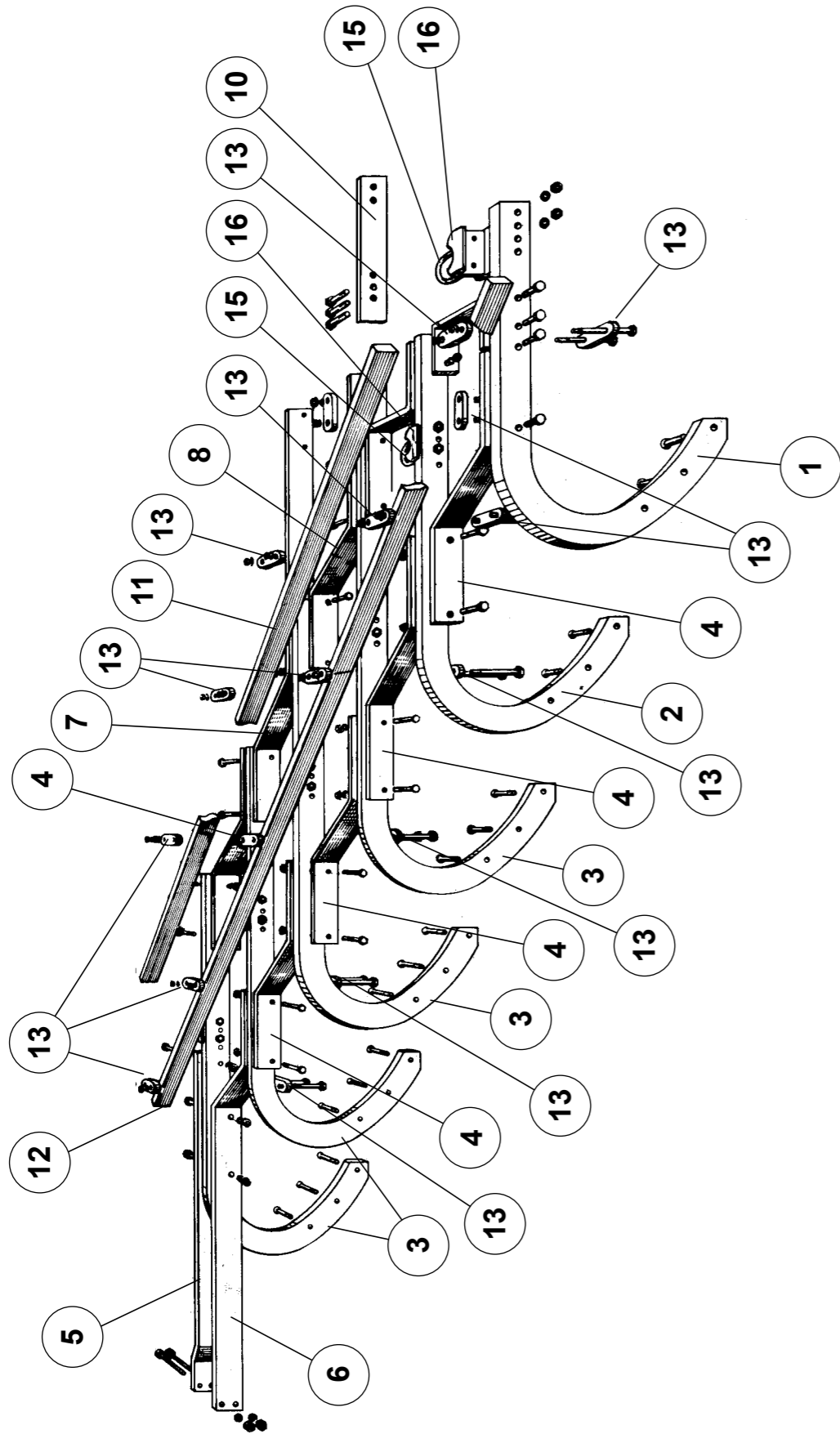
### 3F MTD Shear-Pin

No	Part Number	Description	\$
9	100710	1st Shear-pin 3 1/2" x 1 1/2" Beam	125.00
10	100715	2nd Shear-pin 3 1/2" x 1 1/2" Beam	150.00
11	100720	3rd Shear-pin 3 1/2" x 1 1/2" Beam	175.00
12	100755	Shear-pin Hook	285.00
13	101275	Clamp Plate	15.00
14	101920	33 cm Diagonal Brace	179.00
	101930	38 cm Diagonal Brace	184.00
15	102610	Z Bracket 12" x 3 1/2"	118.00
	102615	Z Bracket 14" x 3 1/2"	125.00
16	103620	U Bolt Coulter	24.00
17	103700	Spacer Bracket 12" x 3 1/2"	66.00
	103705	Spacer Bracket 14" x 3 1/2"	69.00
18	104520	Beam Spacer 3 1/2" x 7/8" x 12"	
19	104600	Shear-pin Support (long)	
20	104610	Shear-pin Support (short)	
21		Back Brace	

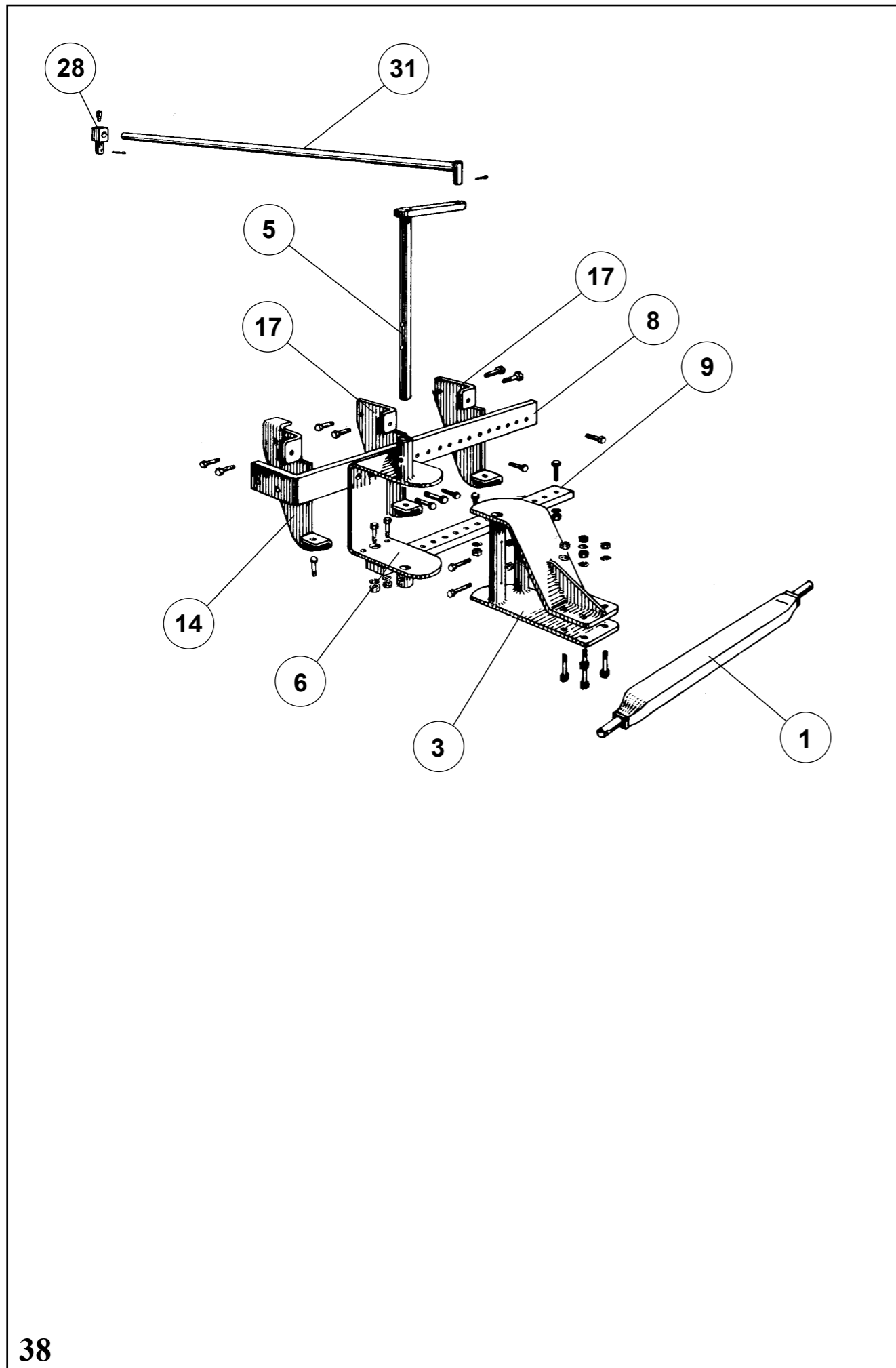


### Semi-Mounted Plough Frames

No	Part Number	Description
1	100680	Beam - 1st 3 1/2" GP-AP
	100695	Beam - 1st 4" Ruapuna
2	100685	Beam - 2nd 3 1/2" GP-AP
	100700	Beam - 2nd 4" Ruapuna
3	100690	Beam - 3rd 3 1/2" GP-AP
	100705	Beam - 3rd 4" Ruapuna
4	101560	Diagonal Brace 12" x 3 1/2"
	101565	Diagonal Brace 14" x 3 1/2"
	101580	Diagonal Brace 12" x 4"
	101585	Diagonal Brace 14" x 4"
	101595	Diagonal Brace 16" x 4"
	101600	Diagonal Brace - Rear Wheel 12" x 3 1/2"
5	101605	Diagonal Brace - Rear Wheel 14" x 3 1/2"
	101610	Diagonal Brace - Rear Wheel 14" x 4"
	101615	Diagonal Brace - Rear Wheel 16" x 4"
	101625	Diagonal Brace - Rear Wheel 12" x 4"
	105505	Support Brace - Rear Wheel 3 1/2"
	105510	Support Brace - Rear Wheel 4"
7	101560	Diagonal Brace - 4th Beam Front 12" x 3 1/2"
	101565	Diagonal Brace - 4th Beam Front 14" x 3 1/2"
	101580	Diagonal Brace - 4th Beam Front 12" x 4"
	101585	Diagonal Brace - 4th Beam Front 14" x 4"
	101595	Diagonal Brace - 4th Beam Front 16" x 4"
8	101560	Diagonal Brace - 3rd Beam Front 12" x 3 1/2"
	101565	Diagonal Brace - 3rd Beam Front 14" x 3 1/2"
	101580	Diagonal Brace - 3rd Beam Front 12" x 4"
	101585	Diagonal Brace - 3rd Beam Front 14" x 4"
	101595	Diagonal Brace - 3rd Beam Front 16" x 4"
9	102610	Z Bracket 12" x 3 1/2"
	102615	Z Bracket 14" x 3 1/2"
	102620	Z Bracket 12" x 4"
	102625	Z Bracket 14" x 4"
	102630	Z Bracket 16" x 4"
10		Plate Brace
		Plate Brace
		Plate Brace
11		Back Brace - Front
12		Back Brace - Rear

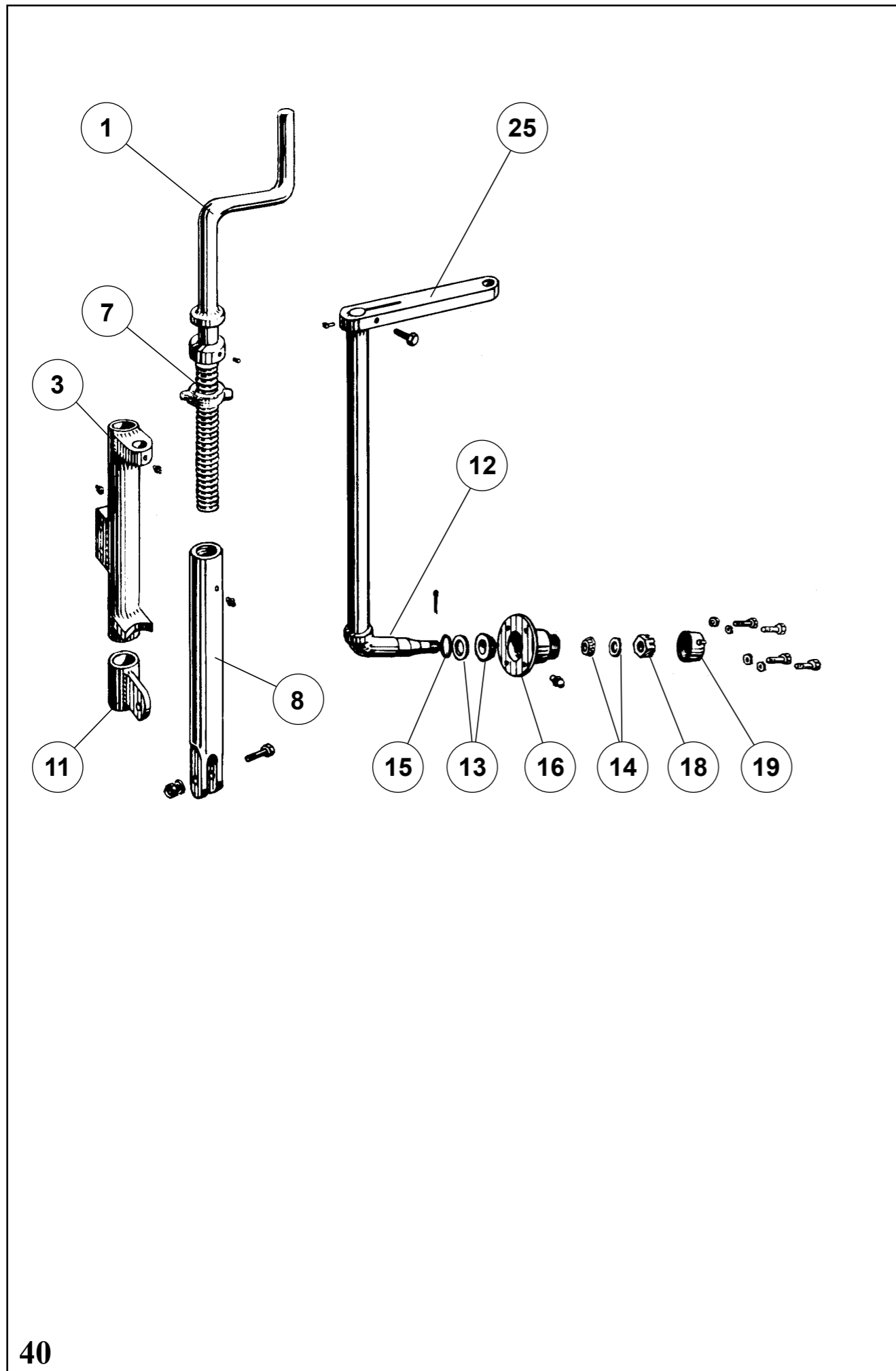


13	101275	Clamp Plate - Back Brace
15	103620	U Bolt
16	103640	Bracket - Coulter 3"
	103645	Bracket - Coulter 3 1/2"
	103650	Bracket - Coulter 4"



## Semi-Mounted Front End Assembly

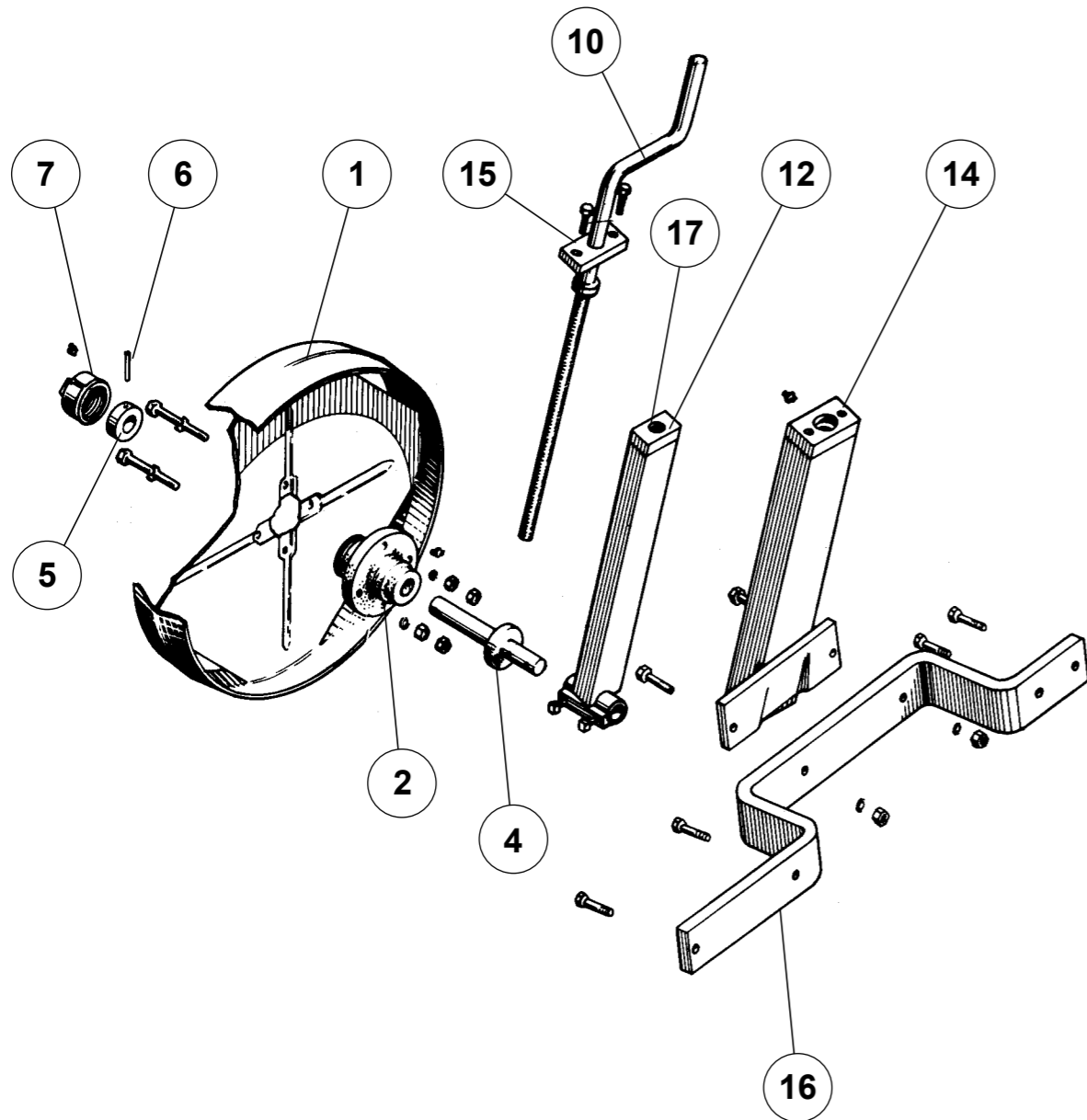
No	Part Number	Description
1	103470	Draught Bar - Category 2 - 3"
	103475	Draught Bar - Category 2 - 4"
	103480	Draught Bar - Category 3 - 4"
3	106005	Yoke - Standard
	106003	Yoke - Heavy Duty
5	106200	Arm and Spindle Steerage - Standard
	106205	Arm and Spindle Steerage - Heavy Duty
6	105805	U Bracket - Standard
	105820	U Bracket - Heavy Duty
8	105129	Front Bracket 3 - 4F 14"
	105149	Front Bracket 3 - 4F 16"
	105165	Front Bracket 5 - 6F 14"
	105180	Front Bracket 5 - 6F 16"
	105200	Front Bracket 7F Std
9	104871	Bridle
14	103585	Hanger Plate - Right
17	103580	Hanger Plate - Left
28	106610	Block Steerage
	106620	Block Steerage 3" S/pin
31		Pipe Steerage - 1" Steam Pipe
		Pipe Steerage - 1 1/4" Steam Pipe



## Semi-Mounted Bracing Plough Rear Wheel Assembly

No	Part Number	Description
1	107300	Screw - 1 1/8"
3	107306	Column - Rear Wheel
7	103190	Lock Nut
8	103170	Nut - Adjusting
11	107450	Lift Collar
	107455	Lift Collar 1 3/4"
12	107601	Axle 30 CWT
	107621	Axle 40 CWT
13	104416	Bearing Inner - Cup and Cone
14	104417	Bearing Outer - Cup and Cone
15	104418	Bearing Seal - Heavy Duty Only
16	107950	Hub - Wheel 30CWT
	107960	Hub - Wheel 40CWT
18	104411	Castle Nut - 3/4" UNF
	104413	Castle Nut - 1" UNF
19	108005	Hub Cap - 30CWT (58 I.D.)
	108011	Hub Cap - 40CWT (68 I.D.)
25	106605	Steerage Arm - Rear
	107951	NZ 100 Hub/Stub Assembly
	107952	NZ 200 Hub/Stub Assembly
	107963	5 Stud 50 Sq Hub & Stub
	108006	50 Sq Axle Hub Cap
	108007	60 Sq Axle Hub Cap
	107964	6 Stud 60 Sq Hub & Stub

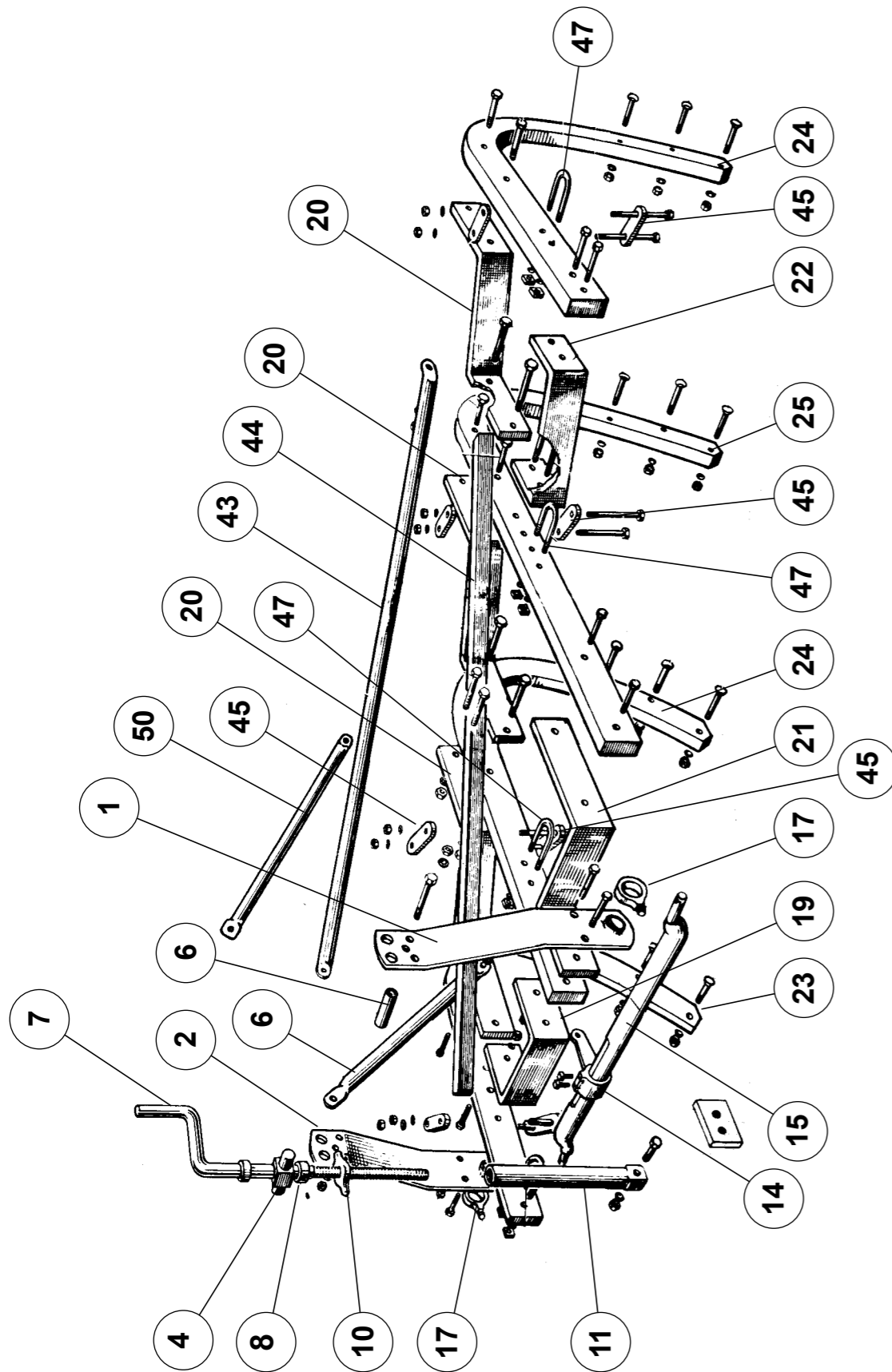
## Mounted Bracing Ploughs



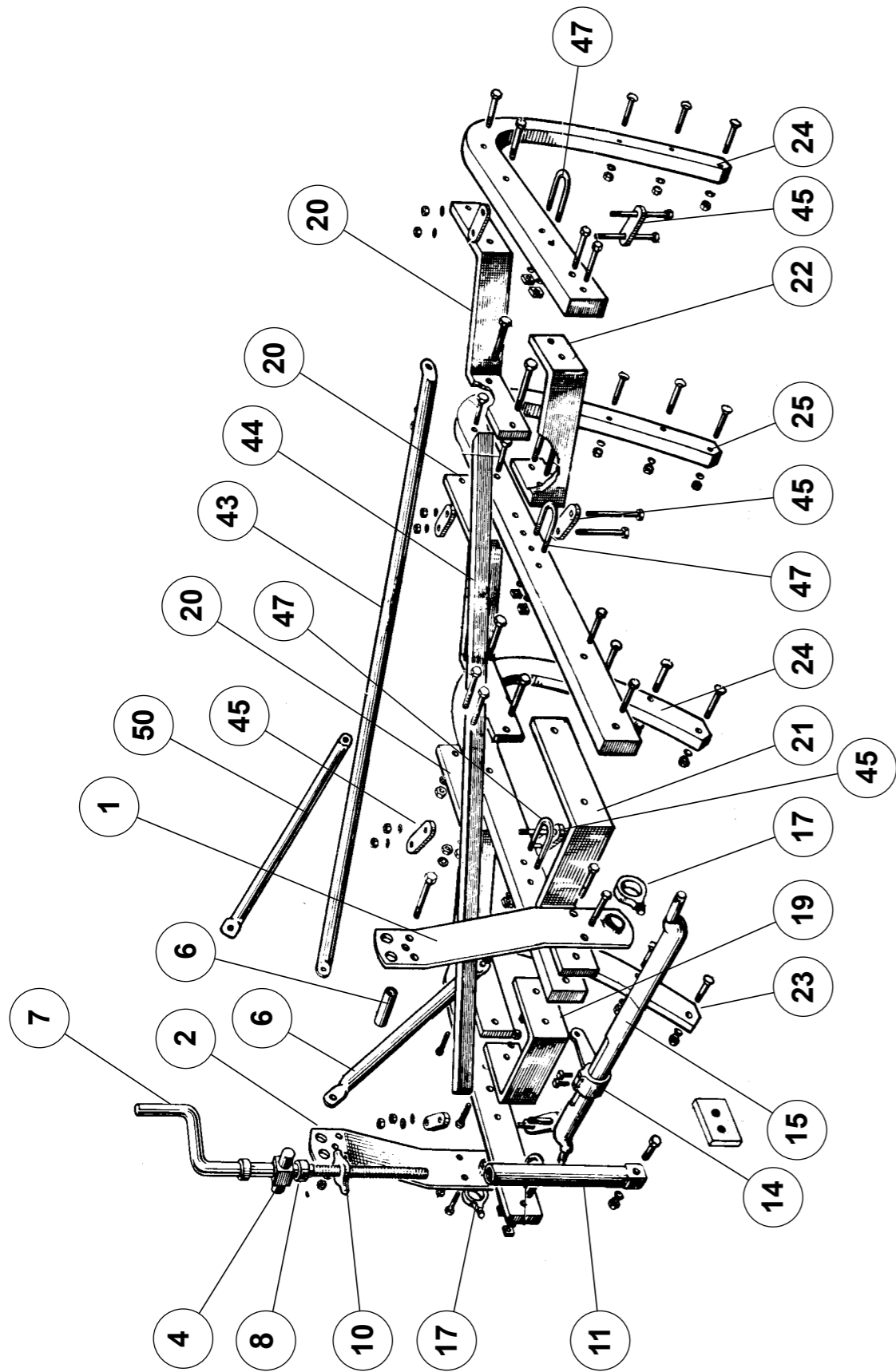
## Landwheel for A(1) Series Two and Multi-Furrow Ploughs

No	Part Number	Description
1	103905	Landwheel 19" Steel
	103910	Landwheel 16" Steel
2	104010	Hub - Landwheel
4	104020	Axle with Sandwasher
5	104700	Collar - Stub Axle - Retaining
6	104040	Retaining Pin
7	108005	Cap - Wheel Hub
10	103150	Screw - Depth Adjusting
12	104125	Column - Inner Mounted
	104130	Column - Inner Semi-Mounted
14	104135	Column - Outer Mounted GP-AP-SS Std
	104140	Column - Outer Semi-Mounted GP-AP-SS
15	104155	Plate - Retaining
16	102685	Bracket - Wheel Assembly Support SS
	102680	Bracket - Wheel Assembly Support GP-AP
17	104110	L/W Nut - Weld On

## Two, Three, Four Furrow Plough Frames



No	Part Number	Description
1	102905	Support - Link Stay - Left 12"
	102910	Support - Link Stay - Left 14"
2	102915	Support - Link Stay - Right 12"
	102920	Support - Link Stay - Right 14"
4	103200	Width Block
5	103050	Link Stay - Tubular - Right
6	103205	Spacer - Linkage - 2 3/16" x 5/8" ID
7	103180	Screw - Width 1 1/8"
8	103210	Collar - Retaining - 1" x 1 1/8" ID
10	103190	Lock Nut - 1 1/8"
11	103170	Adjusting Nut - Width - 1 1/8"
14	103520	Arm - Adjusting
16	103455	Draught Bar - Cat. 1 (as required)
	103460	Draught Bar - Cat. 2 (as required)
17	103525	Collar - Two per Draught Bar
19	103700	Bracket - Spacer 12" x 3 1/2"
	103705	Bracket - Spacer 14" x 3 1/2"
	103710	Bracket - Spacer 12" x 4"
	103715	Bracket - Spacer 14" x 4"
	103720	Bracket - Spacer 16" x 4"
20	101560	Diagonal Brace 12" x 3 1/2"
	101565	Diagonal Brace 14" x 3 1/2"
	101580	Diagonal Brace 12" x 4"
	101585	Diagonal Brace 14" x 4"
	101595	Diagonal Brace 16" x 4"
21	102610	Bracket - Z 12" x 3 1/2"
	102615	Bracket - Z 14" x 3 1/2"
	102620	Bracket - Z 12" x 4" H/D
	102625	Bracket - Z 14" x 4" H/D
	102630	Bracket - Z 16" x 4" H/D
22	103740	Bracket - Spacer - 4th Beam 12" x 3 1/2"
	103745	Bracket - Spacer - 4th Beam 14" x 3 1/2"
	103750	Bracket - Spacer - 4th Beam 12" x 4"
	103755	Bracket - Spacer - 4th Beam 14" x 4"
	103760	Bracket - Spacer - 4th Beam 16" x 4"
23	100695	Beam - 1st Section - 4" x 1 1/2" Ruapuna
	100680	Beam - 1st Section - 3 1/2" x 1 1/2" GP/AP



24	100700	Beam - 2nd Section - 4" x 1 1/2" Ruapuna
	100685	Beam - 2nd & 4th Section - 3 1/2" x 1 1/2" GP/AP
25	100705	Beam - 3rd Section - 4" x 1 1/2" Ruapuna
	100690	Beam - 3rd Section - 3 1/2" x 1 1/2" GP/AP
43		Link Stay - Tubular - RH
44		Back Braces
45		Clamping Plate - Back Brace to Beam
47	103620	U Bolt - Clamping Stalks
48	103640	Bracket - Coulter 3"
	103645	Bracket - Coulter 3 1/2"
	103650	Bracket - Coulter 4"
50		Link Stay - Tubular - LH